

KHA 5/9



Pathway bollard series. Fixtures consist of:

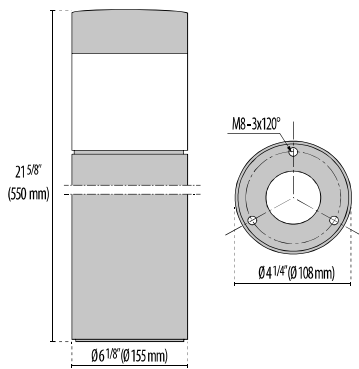
- Multi-step powder-coat painting process, optimized against UV rays and corrosion.
- Copper-free precision die-cast aluminum housing and top cap.
- Copper-free aluminum extruded post.
- Corrosion-resistant AISI 316 stainless steel post and top cap.
- Clear UV-stabilized, high-impact resistant diffuser.
- Custom molded, anti-aging gasket(s).
- Stainless steel external hardware.
- Internal specular reflector coated with 5-layers of PVD 99.98% pure aluminum providing >95% reflection.
- High-efficiency COB, combined with an optimized passive cooling system, provides a long LED life.
- IESNA Type V light distribution.

- Input voltage: 120-277 V (50 / 60 Hz), integral driver.
- Five optional finishes available. Add finish suffix to any part number for textured Black (BK-81), Iron gray (AN-96), Aluminum metallic (GR-94), White (WH-87), Iron rust (RB-10) when not standard.
- Consult factory for dimming options, marine-grade, custom finishes (please specify RAL color), and non-cataloged CCT (Kelvin) options including static colors.
- Consult factory for custom post height options.
- Anchor bolts available for bollards (ordered separately).
- Suitable for most coastal applications (stainless steel versions).
- Product meets Buy American Act requirements within ARRA.
- 5-year warranty.
- Marine Grade finish.
- Suitable for Natatorium applications.

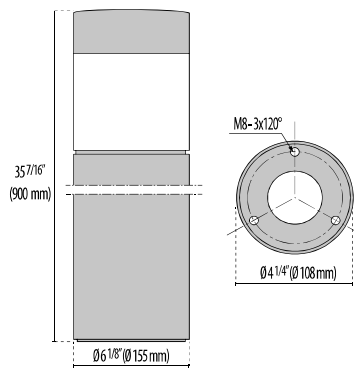


FINISHES

- AN-96 / Iron gray / Textured
- BK-81 / Black / Textured
- INOX / Stainless steel / Matt
- GR-94 / Aluminum metallic / Textured
- WH-87 / White / Textured
- RB-10 / Iron rust / Textured



KHA
5



KHA
9



Scan here
for installation
instructions

19W Max Wattage Vaules

Lumen Output	27K	3K	35K	4K	5K
Kha 5	1095	1182	1269	1356	1379
Kha 9	1095	1182	1269	1356	1379



LVR



BEV



HSS

Order Guide - Kha 5/9

Order code example

KHA-5-19-SS-3K-120-LVR

KHA-

Bollard Height	Wattage	Finish	Kelvin	Voltage	Controls	Accessories
5 22 inch	19 19 watt (max)	SS Stainless Steel	27K 2700k	UNV 120-277V	0-10V 0-10V Dimming ELV ELV Dimming	LVR Internal louver (horizontal)
9 35 inch	12 12 watt	AM Aluminum Metallic	3K 3000k			HSS House side shield
42 42 inch	7 7 watt	IG Iron Gray	35K 3500k			FRST Frosted Diffuser
XX Specify Height min 22"	XX Specify Wattage must be below max	IR Iron Rust	4K 4000k			DB Direct Burial
		BK Textured Black	5K 5000k			BEV Bevelled Post
		WH Textured White	RED Static Red	BP Custom Base plate		
		CC Custom Color	BLU Static Blue	DBURIAL Direct Burial		
			GRN Static Green	RGFCI Recessed outlet with cover - GFCI/USB NOT AVAILABLE with KHA 5		
			AMB Static Turtle Friendly Amber	BABAA Build America Buy America Act compliant		
				TEMPLATE & ANCHOR BOLTS INCLUDED WITH FIXTURE		

80 CRI STANDARD - OTHER OPTIONS AVAILABLE

Performance in Lighting reserves the right to make all necessary changes without prior notice.

Performance in Lighting - 2621 Keys Pointe - Conyers, Georgia 30013 - USA - voice 770.822.2115 - info.usa@pil.lighting
www.performanceinlighting.com

Revision 11
09/24